

COMPONENT SPEAKER SYSTEM

KFC-P304

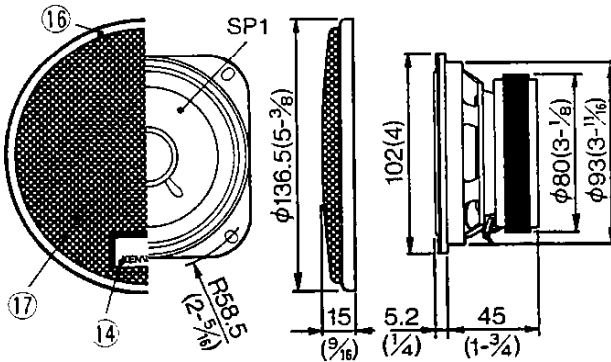
SERVICE MANUAL

KENWOOD

© 1994-4 PRINTED IN JAPAN
B51-6705-00(B) 1276

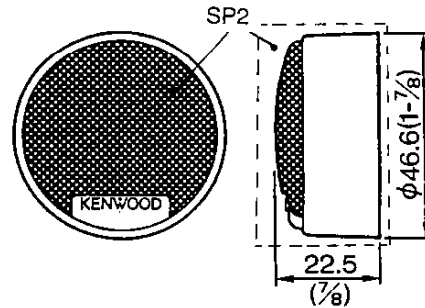
EXTERNAL VIEW

•Midrange



•Tweeter

Unit : mm(inch)



PARTS INCLUDED

- ① × 2
- ② × 2
- ③ × 2
- ④ × 2
- ⑤ × 8
- ⑥ × 4
- ⑦ × 2
- ⑧ × 2
- ⑨ φ4 × 2
- ⑩ φ4 × 2
- ⑪ M4 × 2
- ⑫ φ4 × 8
- ⑬ φ3 × 4
- ⑭ × 2
- ⑮ × 1

PARTS LIST

★ New Parts

Parts without Parts No. are not supplied.

Les articles non mentionnés dans le Parts No. ne sont pas fournis.

Teile ohne Parts No. werden nicht geliefert.

Ref No.	New Parts	Parts No.	Description
①		J21-8194-08	Hardware (A)
②		J21-8195-08	Hardware (B)
③		J21-8193-08	Bracket
④		L75-2050-08	Network
⑤~⑬		N99-1277-08	Screw set
⑭		B43-0934-08	Badge set
⑮		J69-0117-08	Viscous tape
⑯		B06-0445-08	Grille
⑰	★	F09-1092-08	Protector
SP1	★	T06-0325-08	Speaker (Midrange)
SP2		T03-0467-08	Speaker ass'y (Tweeter)

SPECIFICATION

- Midrange 100mm(4in) Sheet P.P. Cone Type 227g(8oz) Magnet
- Tweeter 25mm(1in) P.P.T.A. Balanced Dome Type
- Peak Power 150Watts: When High Pass Filter (applied to Midrange) is in use
60Watts: Without High Pass Filter
- Frequency Response 65Hz~20,000Hz
- Sensitivity 89dB/W at 1m
- Impedance 4 Ohms
- Weight Per Speaker With Grille
- Midrange 1,400g(3.1lb)/Pair
- Tweeter 140g (5 oz)/Pair
- Passive Crossover Network
- Crossover Frequency 6,000Hz

KENWOOD follows a policy of continuous advancements in development. For this reason specifications may be changed without notice.